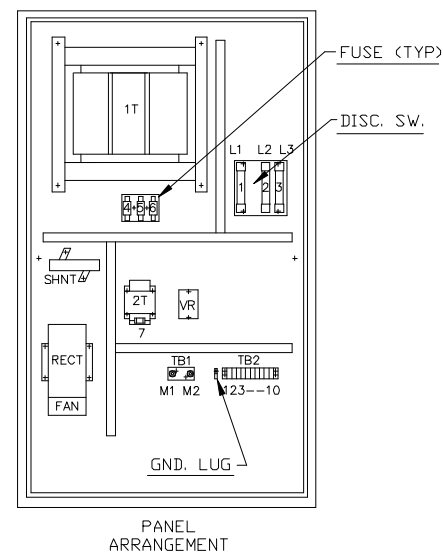
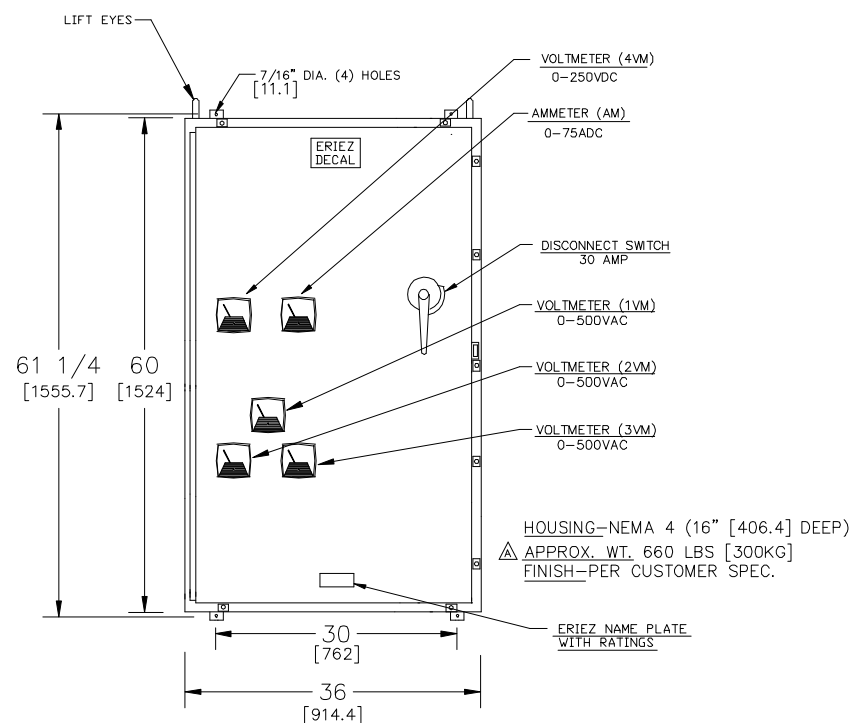
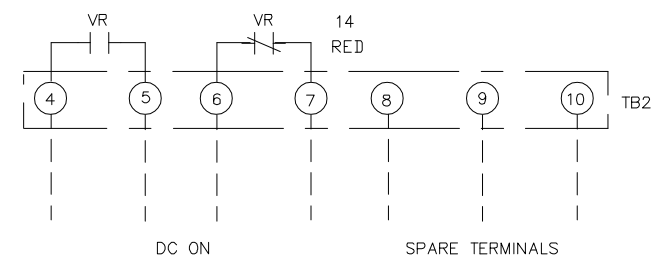
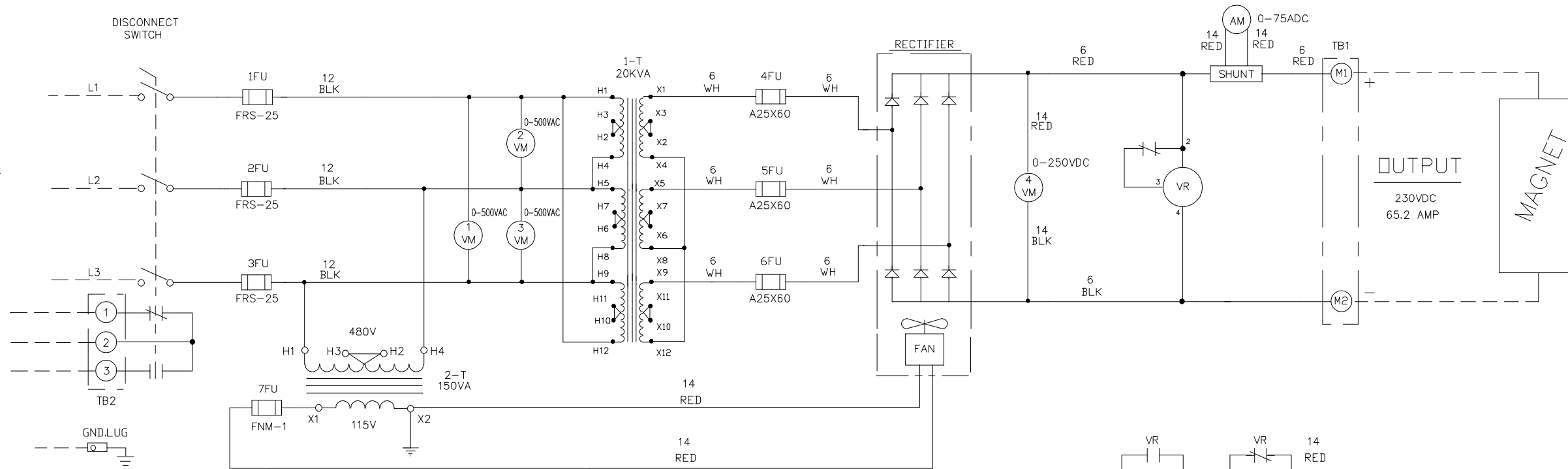


LINE
480V AC
60HZ, 3PH
20.8 AMP

AC ON



REV	CHANGE MADE	DATE	BY	DATE	BY
1	ADDED APPROX. WEIGHT	10/27/95	WTH	10/27/95	WTH

D 1=1

ERIEZ MAGNETICS WORLD AUTHORITY IN ADVANCED TECHNOLOGY FOR MAGNETIC, VIBRATORY AND METAL DETECTION APPLICATIONS WORLD HEADQUARTERS, ERIE, PA., USA	
TITLE	SCHEMATIC & OUTLINE
FOR	N4-15K42 RECTIFIER CONTROL
DR. BY	WTH
DATE	6/12/95
CHKD. BY	
DATE	
SCALE	NTS
ORDER #	86467
E.R. #	NA
REV	NA
DATE	
NOTICE--THIS DRAWING, INCLUDING THE PRINCIPLE OF DESIGN, IS THE PROPERTY OF AND IS SUBMITTED BY ERIEZ MAGNETICS WITH THE AGREEMENT THAT IT IS NOT TO BE REPRODUCED, COPIED, OR LOANED, IN PART OR IN WHOLE, IT IS NOT TO BE USED IN ANY MANNER THAT MAY CONSTITUTE A DERIVATIVE DIRECTLY OR INDIRECTLY TO ERIEZ MAGNETICS. ACCEPTANCE OF THIS DRAWING WILL BE CONSTRUED AS AN AGREEMENT TO THE ABOVE.	
DRAWING NUMBER	4 N- 9504511
REVISION	
PRIOR REF	NA
DOUJL	1995